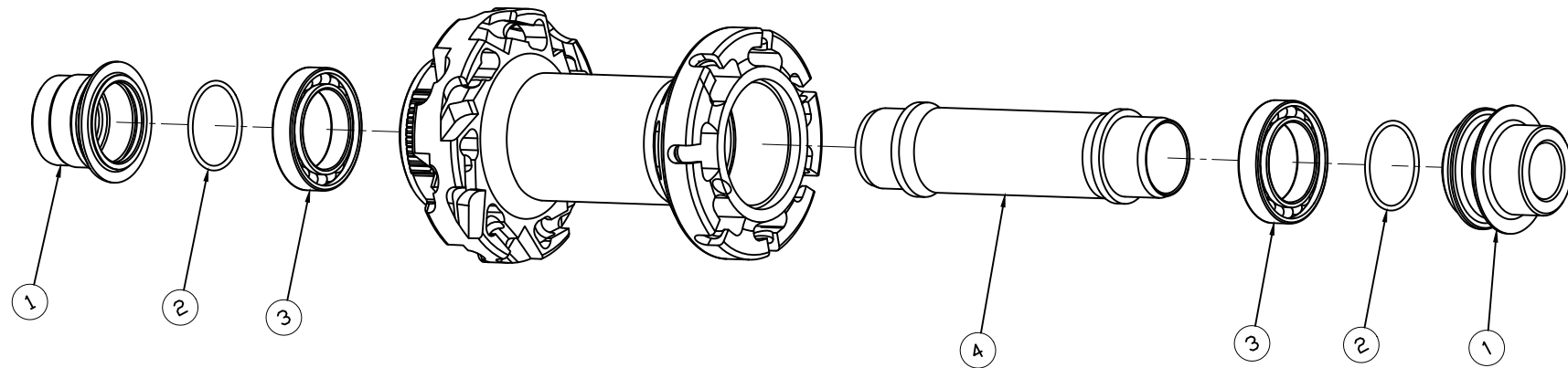


FFWD CS2 FRONT HUB

USED IN ALL RAW MODELS (33/44/55/77)
INTRODUCED IN 2024



1	FFWD CONVERSION KIT FRONT 12/100MM CS2 HUB	S008002000065
2	O-RING IS PART OF END CAPS IN CONVERSION KIT	
3	CERAMICSPEED BEARING 6803-2RS [2X]	S008004000001
4	FFWD FRONT AXLE CS2 HUB	S008002000068